

## SPECIFICATIONS

Rated Current: 1.5AMP  
 Contact Resistance: 20mΩ Max  
 Withstand Voltage: 500V AC/DC  
 Insulation Resistance: 1000MΩ Min  
 Operation Temperature: -40°C to +105°C

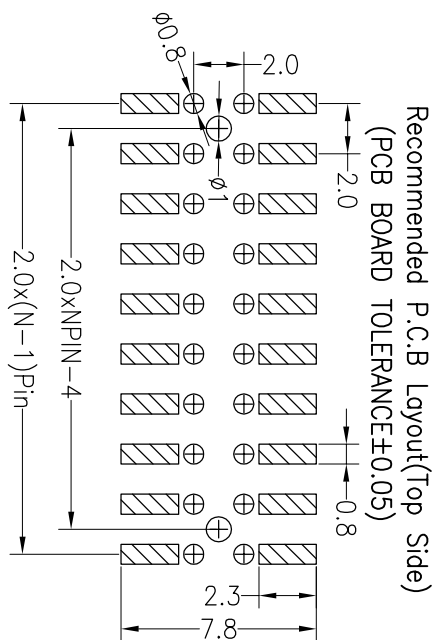
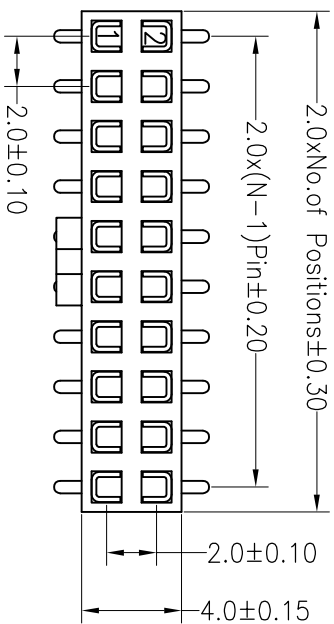
Contact Material: Brass

Contact Plating: Au or Sn Over Ni

Insulator Material: Polyester (UL94V-0)

Standard: PA6T

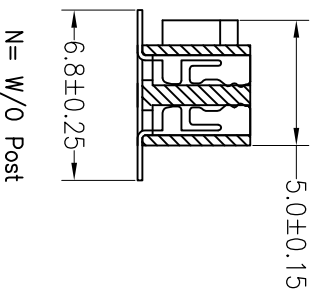
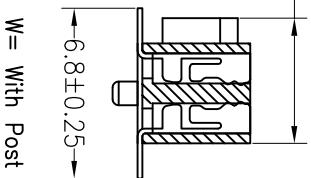
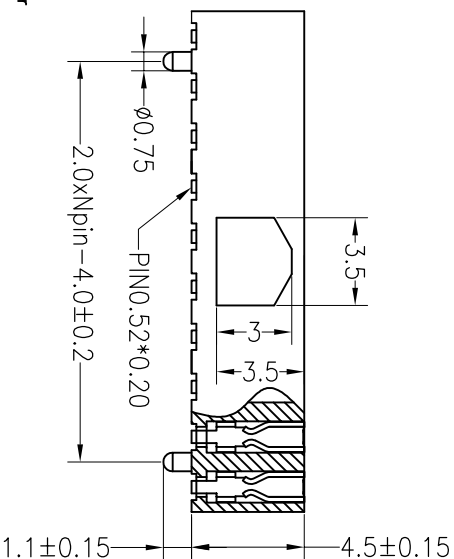
Max. Processing Temp: 230°C for 30-60 seconds  
 (260°C for 10 seconds)



## Ordering Information

2345T 2 XX X XX M U WX 01

No. of Pins 2*2~2*40	Insulator Material Option: A=BK-PBT C=BK-PA6T D=BK-PA46 E=BK-PA9T F=BK-LCP	Post W=With Post N=W/O Post	Contact Plating G0:Gold Flash G1:3U" Gold G2:5U" Gold G3:10U" Gold G4:15U" Gold G5:30U" Gold S0:Gold Flash/Tin SN:tin	Packing T=Tube P=Tube+Cap R=Reel+Cap M=Reel+My/or
-------------------------	--	-----------------------------------	---	---



**JILIN** 深圳市锦凌电子有限公司

SHENZHEN JINLING ELECTRONIC CO.,LTD

Tel: 86-755-2997-5806/5802 Fax: 86-755-2997-5892

PART NO. 2345T2XXXXXXMUWX01

TITLE: 2.0PF H4.5mm 2xNpin SMT

OPERATION		DRAW		SCALE		FIT	
				UNIT			
X.X	±0.30	YYuSheng	19.03.01	mm	A4	1/1	
X.XX	±0.20	CHECK		SIZE		SHEET	
X.XXX	±0.10			ANGLE	±3°	PROU.	
REV	DATE	MODIFICATION DESCRIPTION	CHANGE	DIM	TOL	APPROVE	
A0	2019.03.01	NEW DRAWING					
1							