

SPECIFICATIONS

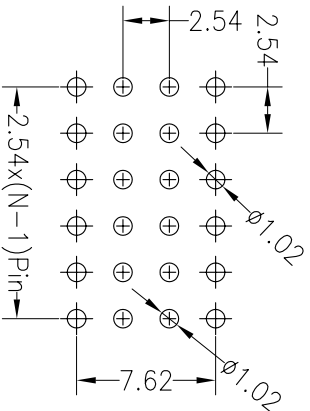
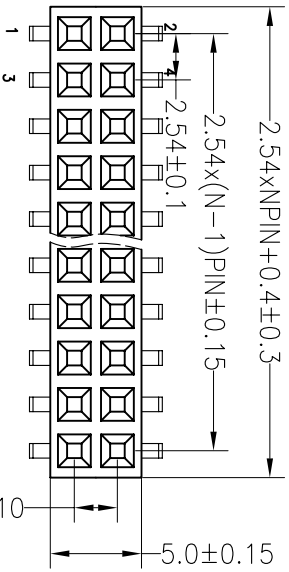
Rated Current: 3.0AMP
 Contact Resistance: 20mΩ Max
 Withstand Voltage: 1000V AC/DC
 Insulation Resistance: 1000MΩ Min
 Operation Temperature: -40°C to +105°C

Contact Material: Brass
 Contact Plating: Au Over Ni
 Insulator Material: Polyester (UL94V-0)
 Standard: PA6T
 Max. Processing Temp: 230°C for 30-60 seconds
 (260°C for 10 seconds)

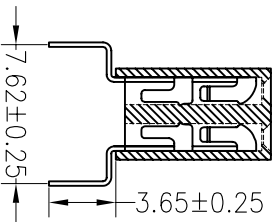
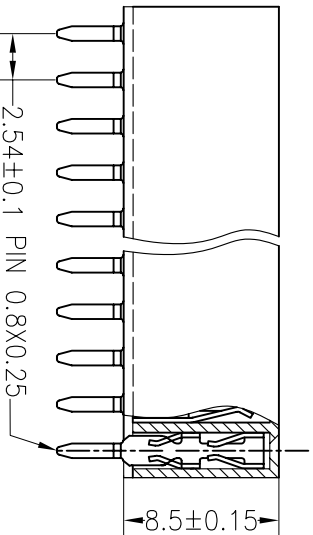
Ordering Information

2285 02 XX X N XX W O X 01

No. of Pins Per Row: 2*40
 Insulator Material Option:
 A=BK-PBT
 B=BK-PA66
 C=BK-PA6T
 D=BK-PA46
 F=BK-LCP
 Contact Plating:
 G1: 1U" Gold
 G2: 1.5U" Gold
 G3: 2U" Gold
 G4: 3U" Gold
 G5: 5U" Gold
 S0: Gold Flash/Tin
 SN: Tin
 Packing:
 O=PE Bog
 A=Troy
 T=Tube
 P=Tube+Cap
 R=Reel+Cap
 M=Reel+Mylar



Recommended P.C.B. Layout (Top Side)
 (PCB BOARD TOLERANCE ± 0.05)



REV	DATE	MODIFICATION DESCRIPTION	CHANGE	OPERATION	DRAW	YYS/USheng	12.04.18	SCALE	FIT	PART NO.	TITLE:
A0	2012.04.18	NEW DRAWING		X.X	±0.30			UNIT	mm	228502XXXXXXW0X01	
				X.XX	±0.20			SIZE	A4		
				X.XXX	±0.10	CHECK		SHEET	1/1		
				Angle	±3°	APPROVE		PROJ.			
				DIM	TOL						

JIN 深圳市锦凌电子有限公司
 SHENZHEN JINLING ELECTRONIC CO., LTD
 Tel: 86-755-2997-5806/5802 Fax: 86-755-2997-5992

2.54PF H8.5mm 2xNpin DIP 7.62mm