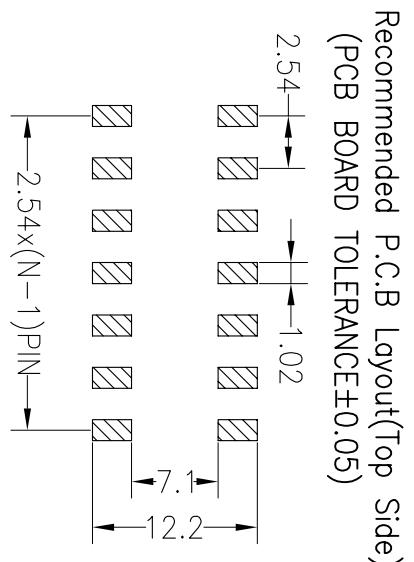
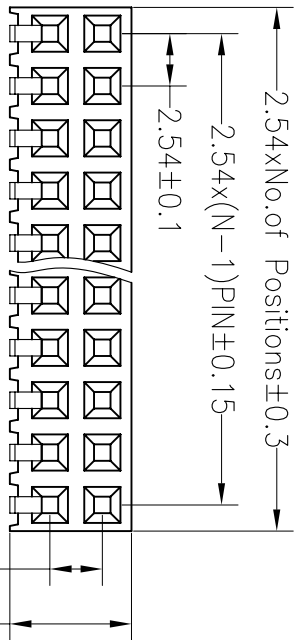


SPECIFICATIONS

Rated Current:3.0AMP
 Contact Resistance:20mΩ Max
 Withstand Voltage:1000V AC/DC
 Insulation Resistance:1000MΩ Min
 Operation Temperature:-40°c to +105°c

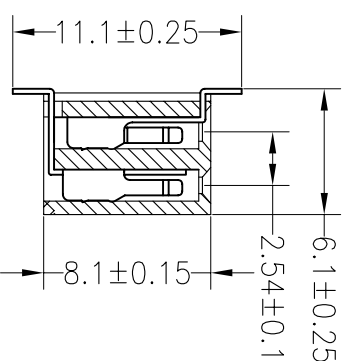
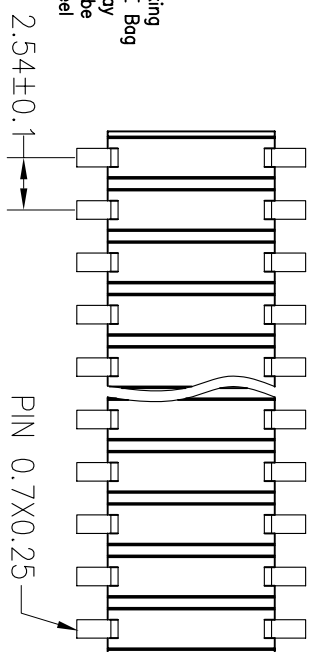
Contact Material:Brass
 Contact Plating:Au or Sn Over Ni
 Insulator Material:Polyester(UL94V-0)
 Standard: PA6T
 Max.Processing Temp: 230°C for 30-60 seconds
 (260°C for 10 seconds)



Ordering Information

2259 02 XX X N XX MU X01

- No. of Pins Per Row 2*40
- Insulator Material Option: A=BK-PBT, B=BK-PA66, C=BK-PA6T, D=BK-PA46, E=BK-PA9T, F=BK-LCP
- Contact Plating: G0:Gold Flash, G1:3U" Gold, G2:5U" Gold, G3:10U" Gold, G4:15U" Gold, G5:30U" Gold, S0:Gold Flash/Tin, SN:Tin
- Packing: O=PE Bag, A=Troy, T=Tube, R=Reel



OPERATION		DRAW		SCALE		FIT		PART NO.	
X.X	±0.30	YUSheng	12.04.18	UNIT	mm	A4	1/1	225902XXXXXXMU01	
X.XX	±0.20	CHECK		SIZE					
X.XXX	±0.10			SHEET					
Angle	±3°	APPROVE		PROJ.					
DIM	TOL								
MODIFICATION DESCRIPTION		CHANGE		DATE		DATE		TITLE:	
NEW DRAWING				2012.04.18		2012.04.18		2.54PF H5.9*W8.1mm 2XNpin SMT	
REV	DATE								
1									

JIN 深圳市锦凌电子有限公司
 SHENZHEN JINLING ELECTRONIC CO.,LTD
 Tel: 86-755-2997-5806/5802 Fax: 86-755-2997-5992