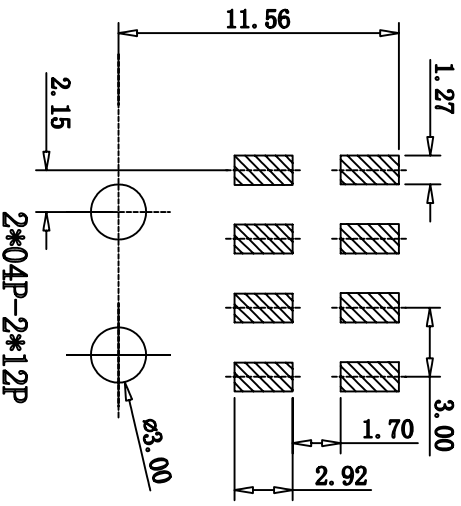
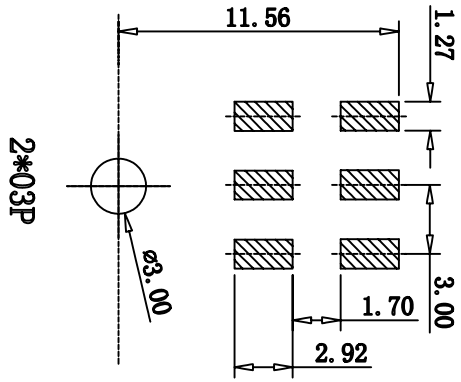
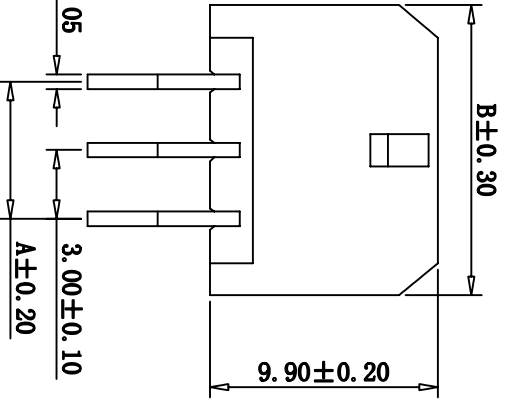
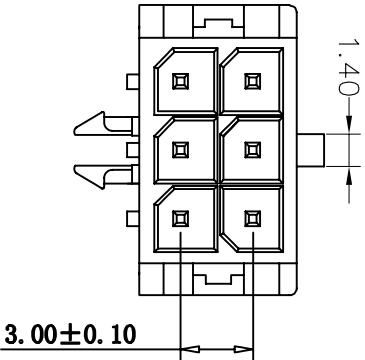


HSE ROHS

SPECIFICATIONS

Rated Current: 5.0AMP
 Voltage rating: 250V AC, DC
 Contact Resistance: 20mΩ Max
 Withstand Voltage: 1500V AC/Minute
 Insulation Resistance: 1000MΩ Min
 Operation Temperature: -40°C to +105°C

Contact Material: Brass
 Contact Plating: Tin Over Ni
 Solder Tabs Material: Brass / Tin-plated
 Insulator Material: Polyester (UL94V-0)
 Standard: LCP
 Max. Processing Temp: 230°C for 30-60 seconds
 (260°C for 10 seconds)



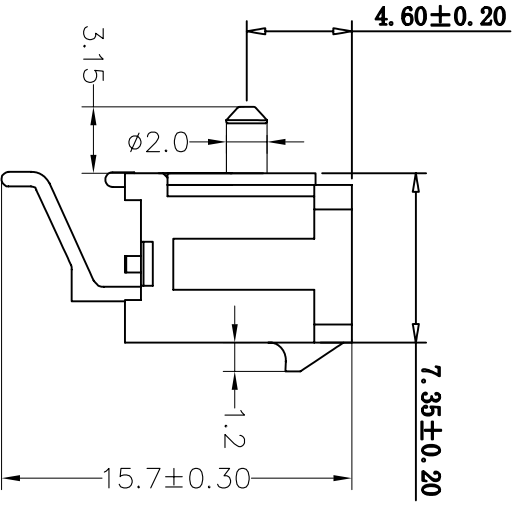
P. C. B. LAYOUT

Ordering Information

JL 3001 Z-2 XX X XX B X 01

No. of Pins: 2~24P
 Insulator Material Option:
 C=BK-PA6T
 E=BK-PA9T
 F=BK-LCP
 Contact Plating:
 CO:Gold Flush
 SO:Gold Flush/Tin
 SN: Tin
 SM: Matte-Tin
 Packing:
 0=Pe Dog
 1=Tube
 R=Reel

0.64 ± 0.05
 3.00 ± 0.10
 A ± 0.20

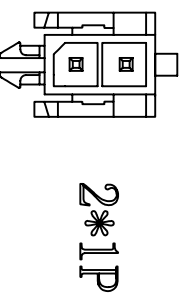
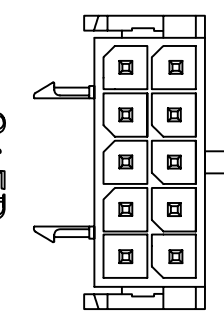
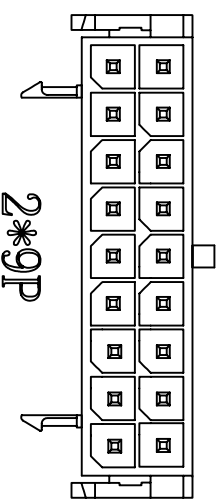
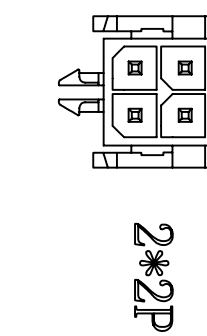
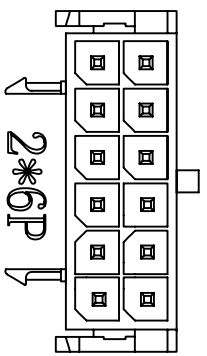
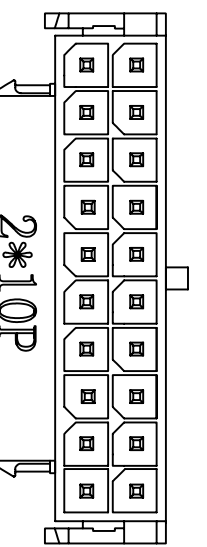
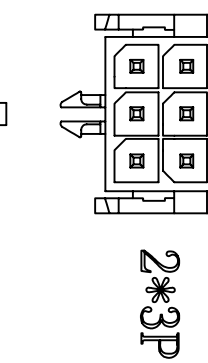
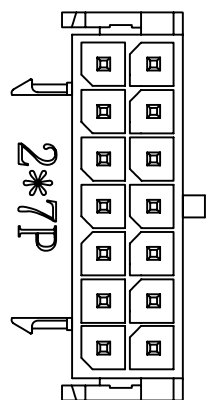
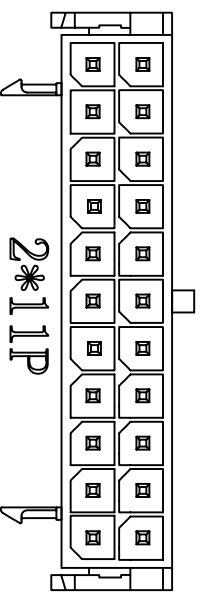
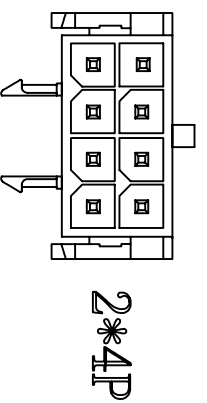
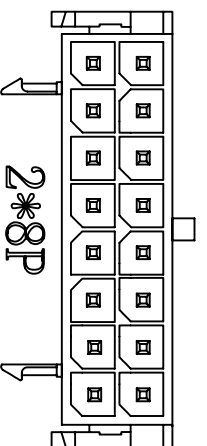
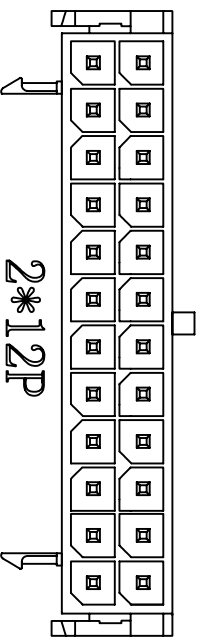


Circuit	Dim	
	A	B
2*01	--	6.65
2*02	3.00	r
2*03	6.00	
2*04	9.00	15.65
2*05	12.00	18.65
2*06	15.00	21.65
2*07	18.00	24.65
2*08	21.00	27.65
2*09	24.00	30.65
2*10	27.00	33.65
2*11	30.00	36.65
2*12	33.00	39.65

OPERATION		DRAW		BEN		SCALE		FIT		PART NO.	
OPERATION	DIM	OPERATION	TOL	APPROVE	CHANGE	DATE	UNIT	mm	A4	PROJ.	TITLE:
X.X	±0.30	X.X	±0.10	CHECK		12.05.22	SIZE	1/2			JL3001Z-2XXXXXBX01
X.XX	±0.20	X.XXX	±0.10				SHEET	1/2			
X.XXX	±0.10	Angle	±3°				PROJ.				
REV	DATE	MODIFICATION DESCRIPTION	CHANGE								
A0	2012.05.22	NEW DRAWING									
1											

JIN 深圳市锦凌电子有限公司
 SHENZHEN JINLING ELECTRONIC CO.,LTD
 Tel: 86-755-2997-5806 / 5802 Fax: 86-755-2997-5892

MX3.00mm Wafer Npin 90° SMT



OPERATION		DRAW		BEN		12.05.22		SCALE		FIT		<p>深圳市锦凌电子有限公司 SHENZHEN JINLING ELECTRONIC CO.,LTD Tel: 86-755-2997-5806/5802 Fax: 86-755-2997-5892</p>	
X.X		±0.30		CHECK				UNIT		mm			
X.XX		±0.20		APPROVE				SIZE		A4			
X.XXX		±0.10						SHEET		2/2		PART NO.	
Angle		±3°						PROJ.		◆		TITLE:	
DIM		TOL										JL3001Z-2XXXXXB01	
CHANGE												MX3.00mm Wafer Npin 90° SMT	
REV		DATE		MODIFICATION DESCRIPTION									
A0		2012.05.22		NEW DRAWING									
1		2		3		4		5		6		7	
1		2		3		4		5		6		7	