

NOTES1:

- UL Standard
- 1. Rated voltage/current : 300V / 15A
- 2. Withstanding voltage : AC1600V/1Min.

IEC Standard

1. Pollution degree	2	2	3
Overvoltage category	II	III	III
Rate impulse voltage(KV)	4KV	4KV	4KV
Rate voltage(V)	630V	320V	320V
Rate current(A)	20A		

NOTES2:

- 1. Dimension shall be interpreted per ASME Y14.5-2009
- 2. Pitch : 5.00mm, Poles : N=02~24P
- 3. Operating temperature: -40°C~+105°C
- 4. Undimensioned tolerances:

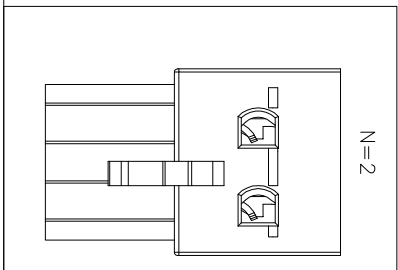
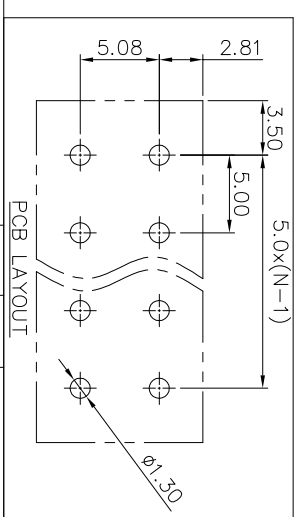
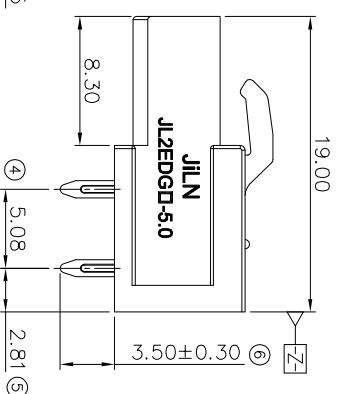
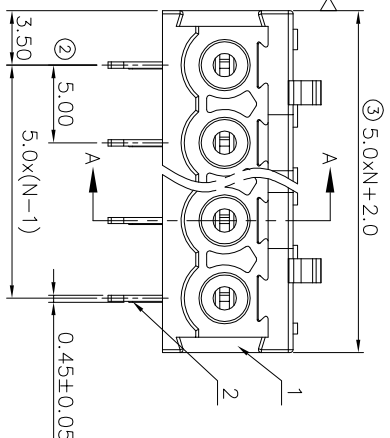
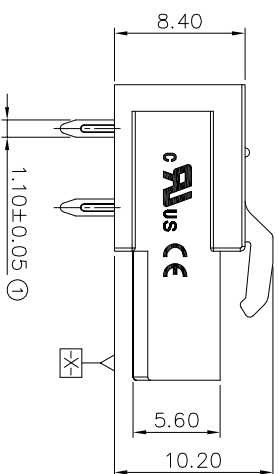
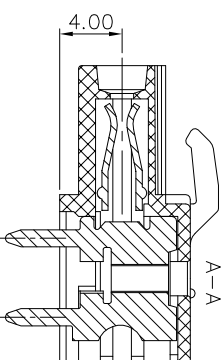
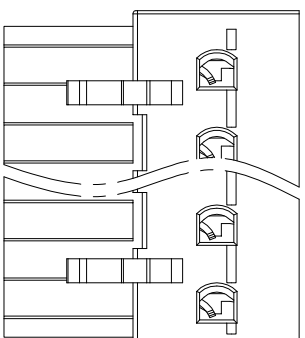
Pitch range in mm		Nominal dimension range in mm		Tolerance	
Over	TO	Over	TO	Over	TO
6	10	30	60	100	150
10	24	60	100	150	
					±2°

5. RoHS Compliance

## Ordering Information

JL2EDGA - 500 XX G 0 1

- Pitch 500=5.00PH
- No.of pins 2P,3P,4P~12P
- Housing Color B=Black G=Green U=Blue R=Red W=White Y=Yellow D=Orange E=Grey
- Packing 0=Pe bag T=Tube A=Tray



REVISION RECORD				
REV	ECN	DESCRIPTION	DRFT	DATE
A0		NEW		21.06.10

DRAW	SHUANGPING ZHENG	SCALE	FIT	PART NO.	JL2EDGA-500XXG01
CHECK	LICHAD LIU	UNIT	mm		
APPROVE	YONGLIANG GAO	SIZE	A4		
		SHEET	1/1	TITLE:	JL2EDGA-5-0-XXP插拔式母座/弯脚/绿色

**JILIN** 东莞市锦凌电子有限公司  
DONGGUAN JINLING ELECTRONIC CO., LTD